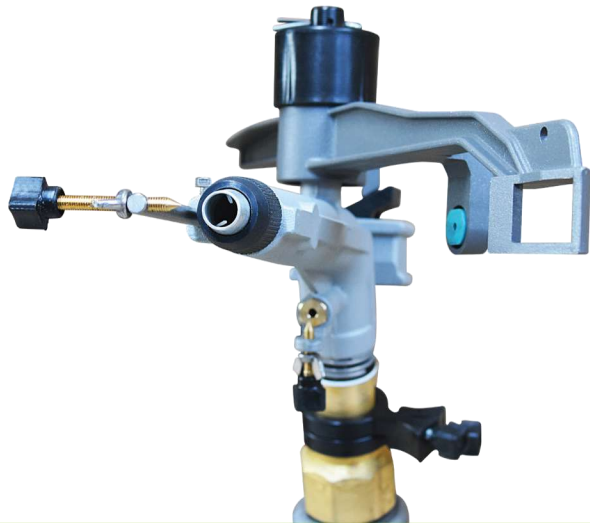


Part circle and Full circle Barrel cross section



**ATOM
35**

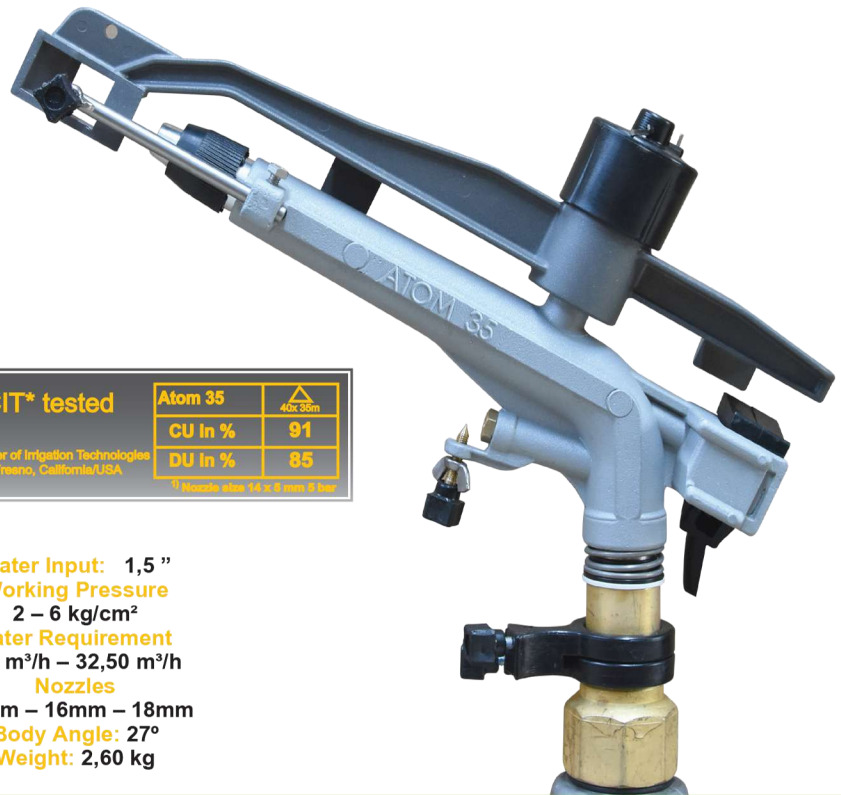


CIT* tested

Atom 35	40x35m
CU in %	91
DU in %	85

*Center of Irrigation Technologies Fresno, California/USA
† Coverage area: 14 x 3 m @ 2 bar

Water Input: 1,5"
Working Pressure
2 – 6 kg/cm²
Water Requirement
9,3 m³/h – 32,50 m³/h
Nozzles
14mm – 16mm – 18mm
Body Angle: 27°
Weight: 2,60 kg



Nozzle diameter		Pressure		Jet Length (Radius)		Capacity			Values for a single sprinkler		
									Irrigated area		Rainfall per hour
mm	inch	kg/cm ²	lbs/inch	m	feet	l/min	m ³ /h	G.P.M.	m ²	acre	mm/h
12	.47	2	29	20,0	66	155	9,3	41	1256	0,31	7,4
	.47	3	44	24,0	79	187	11,2	49	1809	0,45	6,2
	.47	4	56	27,0	89	217	13,0	57	2289	0,57	5,7
	.47	5	70	28,0	92	237	14,2	63	2462	0,61	5,8
14	.55	2	29	21,0	69	202	12,1	53	1385	0,34	8,7
	.55	3	44	25,0	82	242	14,5	64	1963	0,48	7,4
	.55	4	56	29,0	95	282	16,9	74	2641	0,65	6,4
	.55	5	70	30,0	98	315	18,9	83	2826	0,70	6,7
16	.62	2	29	22,0	72	253	15,2	67	1520	0,38	10,0
	.62	3	44	26,0	85	315	18,9	83	2123	0,52	8,9
	.62	4	56	30,0	98	358	21,5	95	2826	0,70	7,6
	.62	5	70	32,0	105	400	24,0	106	3215	0,79	7,5
18	.70	3	44	27,0	89	385	23,1	102	2289	0,57	10,1
	.70	4	56	30,0	98	450	27,0	119	2826	0,70	9,6
	.70	5	70	34,0	112	502	30,1	133	3630	0,90	8,3
	.70	6	85	35,0	115	542	32,5	143	3847	0,95	8,4

ENG

It is an impact sprinkler with part and full circle capability. It provides perfect solution with the performance, technology, reliability and the feature of uniform coverage. It can operate with mid pressure (2 - 6 bar) with high efficiency. Its interchangeable nozzles and adjustable jet breaker provide perfect irrigation with evenly distributed water. It is perfect for any agricultural, mining, dust suppression, stable or portable applications. Its main body and arm are made of aluminium, and rotation mechanism is made of brass, Teflon and stainless steel. Its special design jet breaker is proudly patented by us. It enables water to be thrown to maximum shooting range with perfectly adjustable atomised water. It also has got a second water spray hole for close are irrigation when water pressure is low.